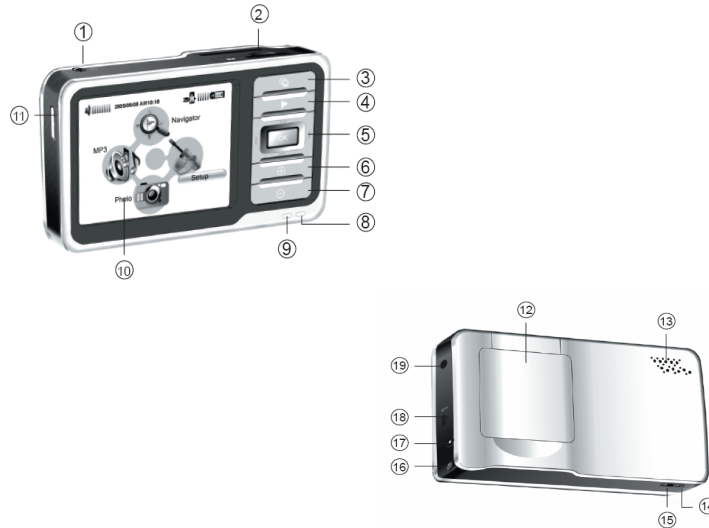


## Nav-Cam 7000 Quick Start Guide



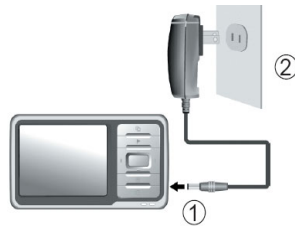
### 1) Description

1. Headphone socket
2. SD card slot
3. Main Menu
4. TripMaster
5. Directional/OK keys
6. Volume up
7. Volume down

8. GPS signal indicator
9. Power indicator
10. Touch Screen
11. On/Off
12. GPS antenna
13. Speaker
14. Software reset button
15. Hardware reset switch
16. Stylus
17. External power connector
18. USB connector
19. External antenna connector

## 2) Charge the Battery

1. The Nav-Cam 7000 will arrive from the factory with the “Hard Reset” switch (shown as 15 on the diagram) in the OFF position. This is to preserve the battery. The first time you use the device you will need to move the “Hard Reset” switch to the ON position. Simply slide the switch across using the point of the stylus.
2. Connect the AC adaptor to the external power connector on your Nav-Cam 7000.
3. Plug the AC adaptor into the main power supply



NOTE:

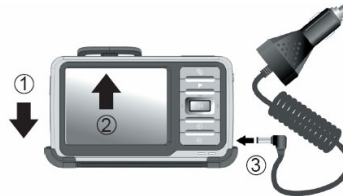
Charge the Nav-Cam 7000 for at least 4 hours before initial use.

## 2) Install the software

Insert the SD card and the software will automatically install

## 3) Connect to the car

1. Place the bottom of the Nav-Cam 7000 into holder first, at a slight forward angle.
2. While pushing down, move top of Nav-Cam 7000 until it clips into place.
3. Plug in car charger



NOTE:

When removing Nav-Cam 7000, remember to push down before angling forward.

## 4) Resetting the Device

There are two ways to reset the device should there ever be a time when it stops responding. The first method is to use the 'soft reset' button shown as 14 on the diagram. Pressing this button performs a simple refresh of the RAM without losing the device settings.

The second method is to use the 'Hard Reset' switch shown as 15 on the diagram. **This will reset the device to factory defaults and should only be used if the soft reset has not fixed the problem.**

## Using the Navigator Software

Charge the Nav-Cam 7000, and then insert the pre-loaded SD card into the SD slot (shown as no.2 on the hardware diagram).

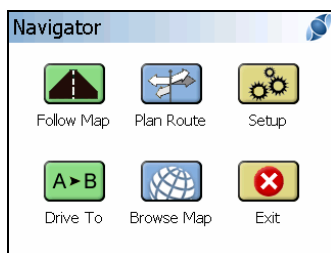
Place the Nav-Cam 7000 on your windshield so that it has an unobstructed view of the sky to gain your first GPS fix.


NOTE: The GPS antenna should be unfolded to the horizontal position in order to obtain a good signal.

### Starting the Navigator

Switch the Nav-Cam 7000 on (shown as no.11 on the hardware diagram) and tap **Navigator** in the start screen.

After the application loads the safety advice screen will appear, tap Accept (if you agree with the terms) and the **Main Menu** will appear (see below)



Select the  to set your destination and the **Select Place** menu opens (see below).



Tap the **Select State** button to choose the state where your destination is located.

Then tap the **Town, Street** button to open up the address search.

To enter a Zip code, start entering the code using the alphabetic keyboard. If you require numbers select the '123' button and when finished use the back button to return to the keyboard. Once finished select your Zip code from the list.

To select a town, enter the town's name using the alphabetic keyboard. Select your town from the list and then choose either a street name, town centre or place of interest (POI)

**You will then start Navigating**